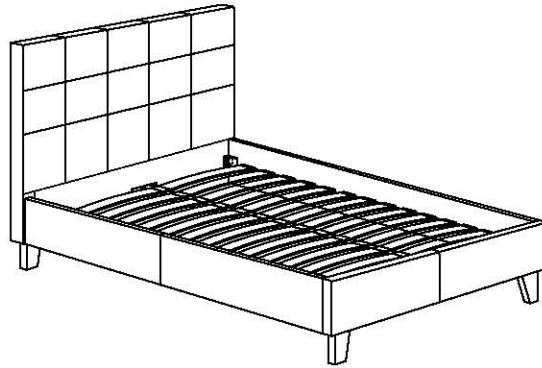
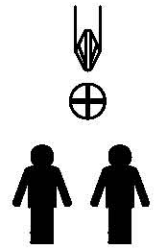


ASSEMBLY INSTRUCTIONS

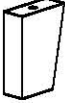




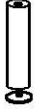






RN-1020-25 / RN-1020-29 / RN-1021-25 / RN-1021-29 QB/KB-8190



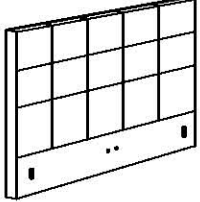
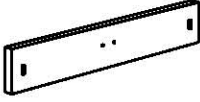


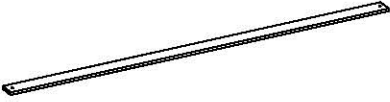
Tools Needed
2 person build



BED FITTINGS

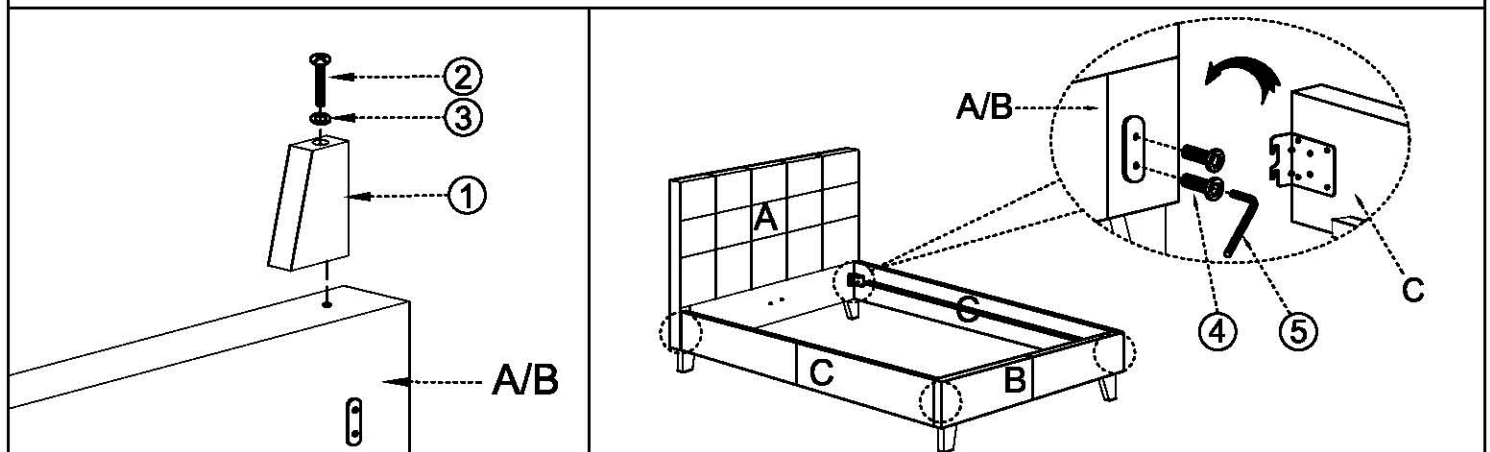
					
Feet	Bolts (m8*90)	Washers (m8)	Gold Bolts (m8*18)	Allen Key (m5)	Plastic feet
① X 4	② X 4	③ X 8	④ X 8	⑤ X 1	⑥ X 2
					
Bolts (m8*20)	Bolts (m8*25)	Bolts (m6*35)	Center plastic caps (Big)	End plastic caps (Small)	Slats
⑦ X 4	⑧ X 2	⑨ X 2	⑩ X 14	⑪ X 28	⑫ X 28

PART LIST

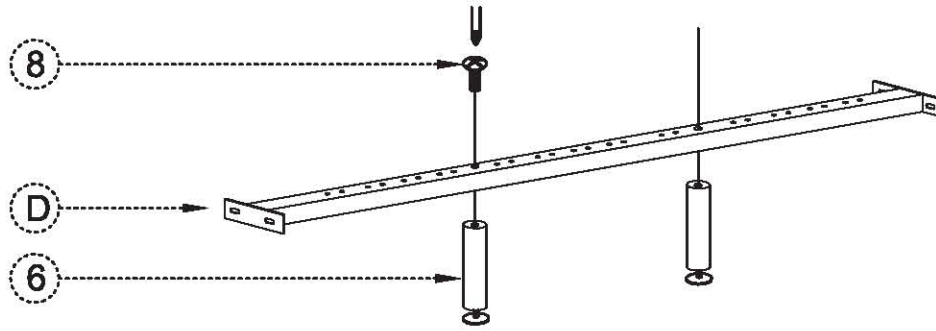
		
Headboard	Footboard	Side Rails
A X 1	B X 1	C X 2
		
Center Rail	Cross Rail	
D X 1	E X 1	

Step 1

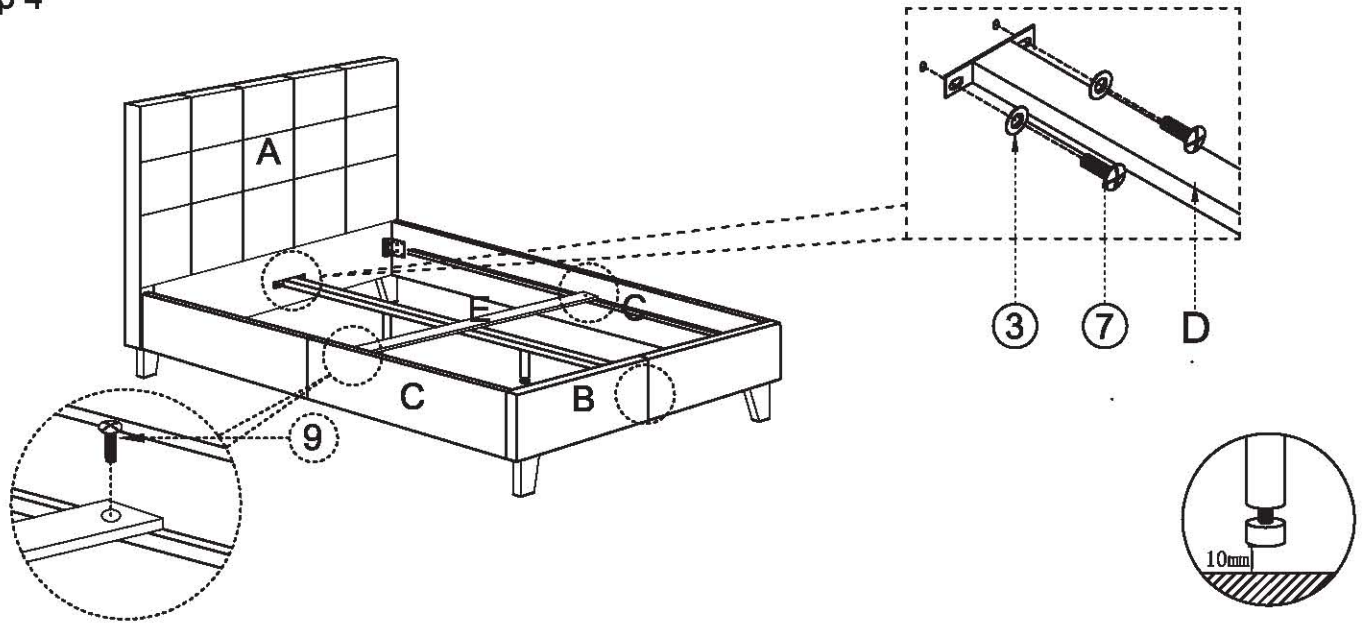
Step 2



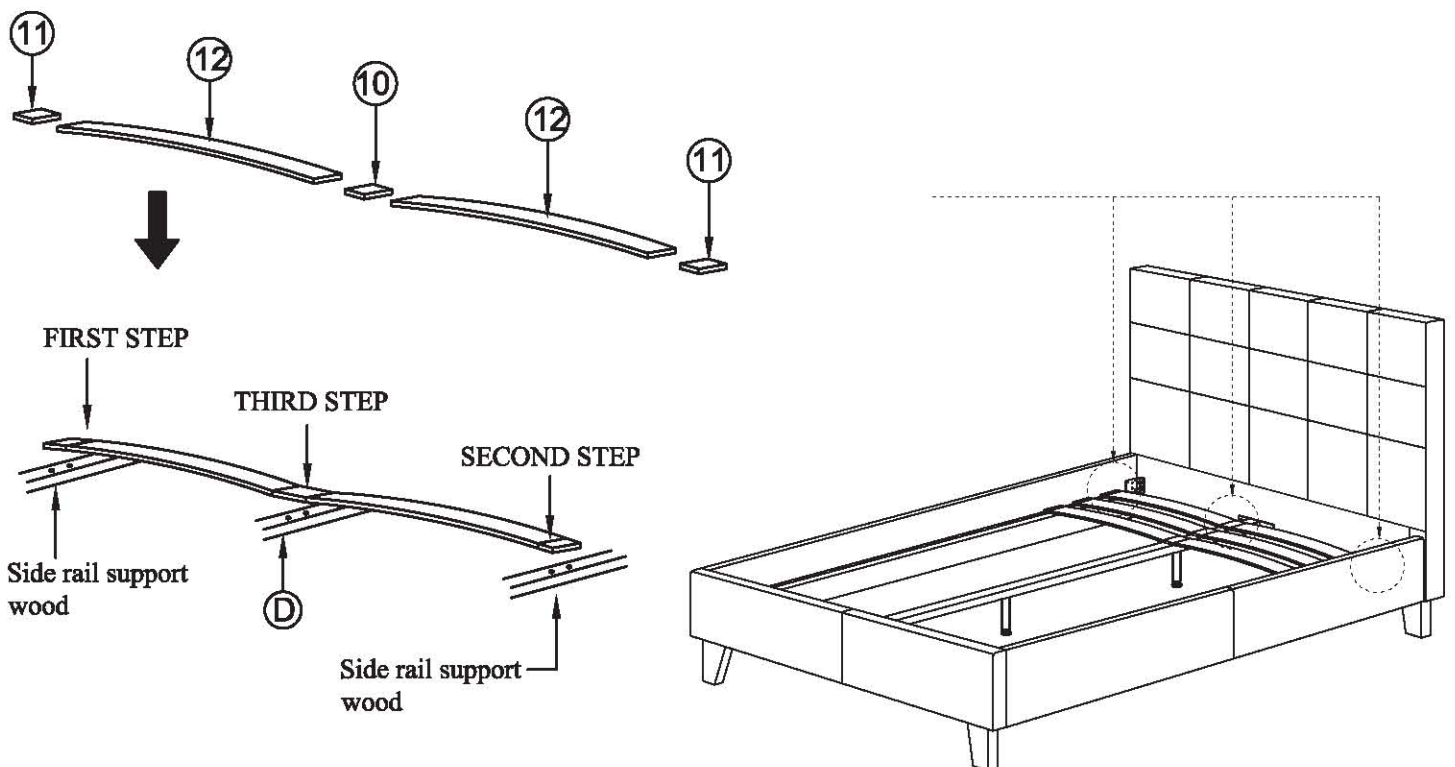
Step 3



Step 4



Step 5



REMARK : ONCE BED IS ASSEMBLED, **DO NOT** SIT, STAND OR APPLY WEIGHT DIRECTLY TO SLATS UNLESS MATTRESS IS IN PLACE.